

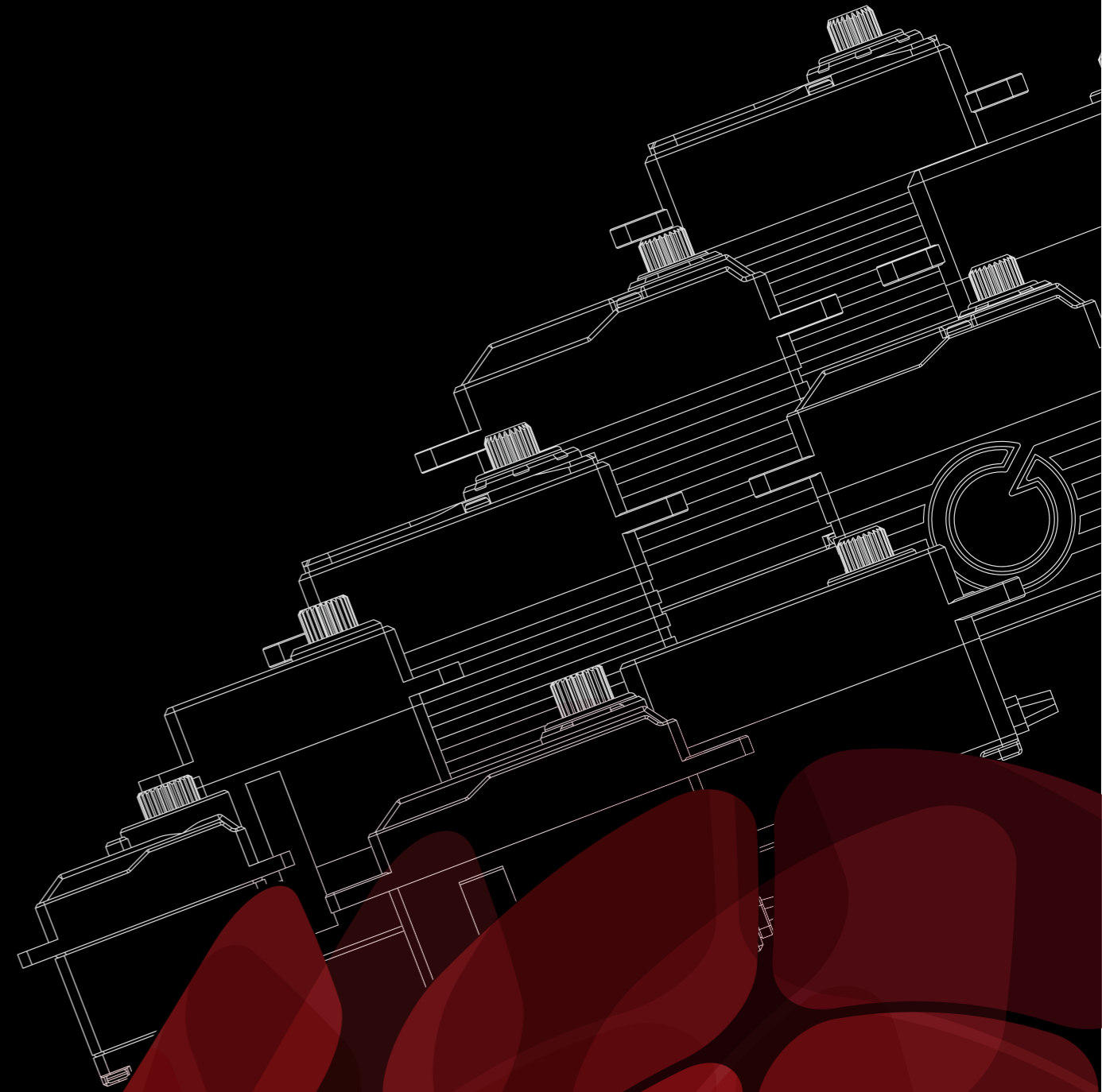


AGF-RC Electronic Technology Co., Ltd.

PRODUCT CATALOG 2025



AGF-RC Electronic Technology Co., Ltd




2025 PRODUCT CATALOG

 www.agfrc.com

 sales@agfrc.com

 +86-0752-2658283

 No. 1 Workshop, No. 2 East Lane, Nanhua Road, Chenjiang Street,
Zhongkai High-Tech Zone, Huizhou City, Guangdong Province, China

CONTENTS

01

ABOUT AGFRC

05

ESC

RC Car ESC	55
FPV Multirotor ESC	56

02

SERVO

Giant Servo	08
4S Direct Power Servo	13
2S & 4S Smart Servo	15
Feedback Servo	19
4-Pole Brushless Servo	21
Magnetic Waterproof Servo	23
Helicopter & Aircraft Servo	27
Standard Servo	31
Low Profile Servo	38
Wing Servo	43
Mini Servo	48
Micro Servo	50
1.5g Linear Servo	52

06

SERVO HORN

03

RC CAR GYRO

07

OTHERS

04

2.4GHZ RECEIVER





ABOUT AGFRC Huizhou AGF-RC Electronic Technology CO., Ltd.



Is established at 2009 which is a high-tech enterprise owning more than 1200 square meters dust-free electronic manufacturing workshop, and we are the professional manufacturer focusing on R&D and production of servo and other electronic products.

With all kinds of precision equipment, such as Yamaha SMT lines, High precision FANUC & Brother CNC Machines, and imported FANUC Injection machine, AGFRC could have the entire process from tooling production to finished product assembly is completed in-house for high stable quality product and strong production flexibility.

2009 Established **1200** Square Meters **64** Fanuc & Brother

Our self-developed precise motion control technology and precision manufacturing plant can provide customized products and solutions for customers. Our team is committed to offering the best servo that fits for each project. We provide complete operation for each process, covering request analysis, project planning, design, R&D, test, mold, production, packing and transportation.



• SMT Production Workshop



• Dust-free Production Workshop

PATENT CERTIFICATE



3D COORDINATE MEASURING MACHINE



The use of 3D coordinate measuring machine is in manufacturing and assembly processes to test a part or assembly against the design intent. The measured points can be used to verify the distance between features.

To enhance the precision and efficiency during R&D prototype design and production, the initial sample and production sample of all our servo cases must be inspected by the Mitutoyo CMM. It is first and important step for quality guarantee. Ensure the consistency for the every products.

Beside the servo cases, we also use it for other products with strict size and time requirements. Even the complex shapes and design is available to make it achieve.



WHAT WE MAINLY SUPPLY?

SERVO

High quality various servo for different application



GYRO

Compact Size RC Gyro



ESC

Speed Controller



RECEIVER

2.4Ghz Receiver Modules



PCB

Power Control Board



CNC

Different kind of CNC parts



WHY CHOOSE AGFRC?

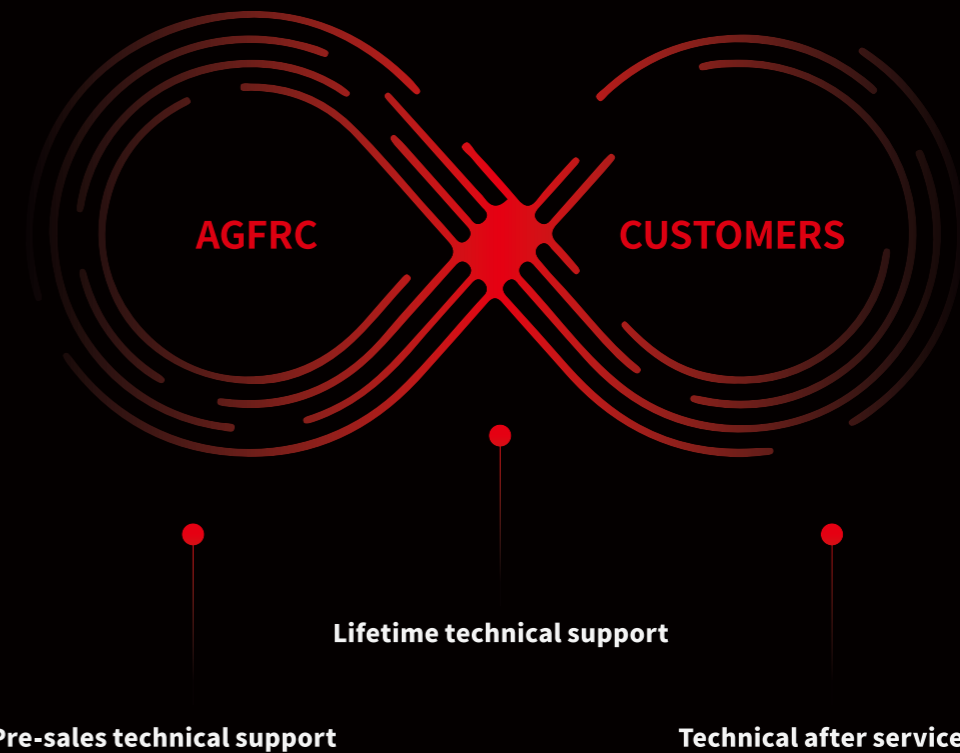


True servo manufacturer since 2009, has rich experience in developing OEM & ODM product, and keen on innovation of the new feature products. With our own hardware and software engineer, we can always offer fast & direct service.

High quality control and flexibly production arrangement as all products are assembly in house, such as 60 sets CNC machine (50 sets Fancu and 10 sets Brother), Yamaha SMT machine, 3D measure tester, Fancu injection machine, and the other product test tools to make sure premium quality products from the raw material to the finish products. The good beginning will make great result.



Believing customer delight is paramount, offering support to our customers through the entire customer relationship lifecycle including pre-sales, post sales, and ongoing technical support. We will offer lifetime technical support for our customers, and all your questions will be well care by us.



PRODUCT HIGHLIGHTS

APP or Computer Programmable Product

We always pursue what we can do more to provide better experience for our customers, and here it comes the APP programmable. It will be no limit of location or time matters, and it will be big advantage to check servo's condition, the biggest differences with the computer programmable software, the APP can be the simple signal tester.

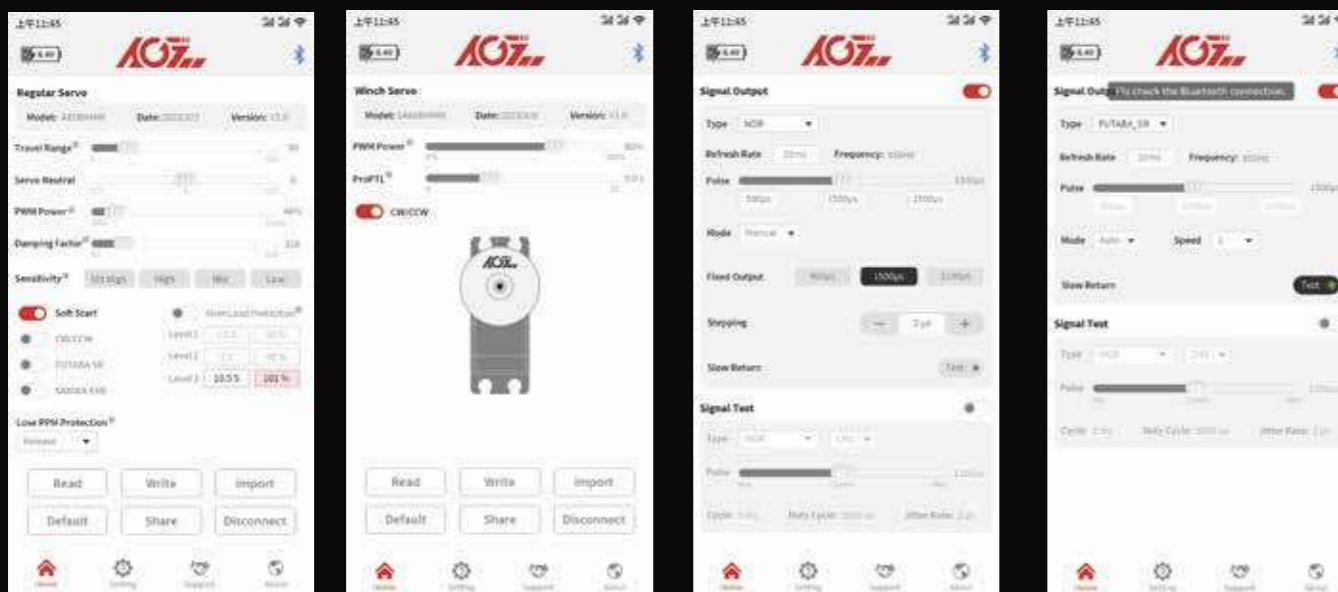
With everything else, the APP also can be the programmer for Servo, Gyro, BEC, ESC and more incoming products. It is the "all-in-one" APP for easy use.

If to use this App, needs to have AGFRC Bluetooth module and APP programmable products at the same time.

Computer Programmable



APP Programmable



WHY SMART WINCH SERVO?

A smart winch servo can offer you two way used, it can be winch servo or regular servo by changed firmware. The winch servo is the multiple rotation servo, and it could be used for specific projects. The smart winch servo can take more challenge, and it is very cost effective for its unique features.



Note: The APP has Android, IOS and tablet version.



SERVO IS THE WISE CHOICE OF CONTROL SYSTEM FOR YOUR APPLICATION

GIANT SERVO

This powerhouse servo can tackle the most extreme 1/5th scale vehicle stunts and giant scale aerobatic maneuvers in addition to the industrial applications that inspired its original design. Ultimate in power and durability for your project.



8.4 / 16.8V
High Voltage Option



Powerful
Torque

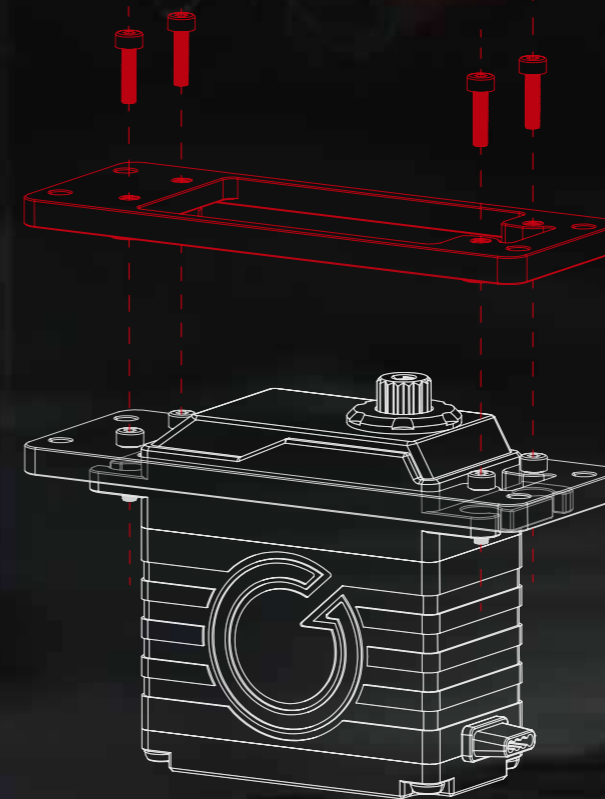


High Quality
Brushless Motor



IP67
Magnetic Sensor

A200BHMW + MT200 Assembly drawing





A150BVMW*	PRODUCT	A200BHMW
48.0*23.0*46.0mm	Size	48.5*25.0*51.2mm
7.4V ~ 16.8V	Operating Voltage	4.8V ~ 8.4V
150g	Weight	180g
Strength Steel	Gear	Strength Steel
IP67	Waterproof Level	IP67
Brushless	Motor	Brushless
YES	Programmable	YES
● ● ● Black - Red - White	Wire	● ● ● Black - Red - White
92.0 kg-cm (1279 oz-in) @ 16.8V 57.0 kg-cm (792 oz-in) @ 10.0V	Stall Torque	72.0 kg-cm (1000 oz-in) @ 8.4V 42.0 kg-cm (583 oz-in) @ 4.8V
0.080 sec/ 60° @ 16.8V 0.130 sec/ 60° @ 10.0V	Operating Speed	0.092 sec/ 60° @ 8.4V 0.150 sec/ 60° @ 4.8V
 	Dimension (unit:mm)	

A220BVMW	PRODUCT	A280BVSU
65.8*30.0*59.0mm	Size	65.8*30.0*59.0mm
7.4V ~ 16.8V	Operating Voltage	10V ~ 16.8V
185g	Weight	285g
Strength Steel	Gear	Strength Steel
IP67	Waterproof Level	IP67
Brushless	Motor	Brushless
YES	Programmable	YES
● ● ● Black - Red - White	Wire	● ● ● Black - Red - White
87.0 kg-cm (1209 oz-in) @ 16.8V 58.0 kg-cm (806 oz-in) @ 10.0V	Stall Torque	128.0 kg-cm (1779 oz-in) @ 16.8V 78.0 kg-cm (1084 oz-in) @ 10.0V
0.065 sec/ 60° @ 16.8V 0.100 sec/ 60° @ 10.0V	Operating Speed	0.077 sec/ 60° @ 16.8V 0.120 sec/ 60° @ 10.0V
 	Dimension (unit:mm)	



A280BHLW	PRODUCT	A280BHMW	
65.8*30.0*59.0mm	Size	65.8*30.0*59.0mm	
4.8V ~ 8.4V	Operating Voltage	4.8V ~ 8.4V	
285g	Weight	285g	
Strength Steel	Gear	Strength Steel	
IP67	Waterproof Level	IP67	
Brushless	Motor	Brushless	
YES	Programmable	YES	
● ○ ● Black - Red - White	Wire	● ○ ● Black - Red - White	
100.0 kg-cm (1390 oz-in) @ 8.4V 53.0 kg-cm (736 oz-in) @ 4.8V	Stall Torque	78.0 kg-cm (1084 oz-in) @ 8.4V 48.0 kg-cm (667 oz-in) @ 4.8V	
0.110 sec / 60° @ 8.4V 0.180 sec / 60° @ 4.8V	Operating Speed	0.082 sec / 60° @ 8.4V 0.126 sec / 60° @ 4.8V	
Dimension (unit:mm)		Dimension (unit:mm)	

A300BVMW*	PRODUCT	A380BVMW*	
64.0*33.0*64.5mm	Size	75.0*37.0*66.0mm	
7.4V ~ 16.8V	Operating Voltage	7.4V ~ 16.8V	
300g	Weight	380g	
Strength Steel	Gear	Strength Steel	
IP67	Waterproof Level	IP67	
Brushless	Motor	Brushless	
YES	Programmable	YES	
● ○ ● Black - Red - White	Wire	● ○ ● Black - Red - White	
280.0 kg-cm (3892 oz-in) @ 16.8V 180.0 kg-cm (2502 oz-in) @ 10.0V	Stall Torque	355.0 kg-cm (4934 oz-in) @ 16.8V 220.0 kg-cm (3058 oz-in) @ 10.0V	
0.160 sec / 60° @ 16.8V 0.260 sec / 60° @ 10.0V	Operating Speed	0.180 sec / 60° @ 16.8V 0.300 sec / 60° @ 10.0V	
Dimension (unit:mm)		Dimension (unit:mm)	

4S DIRECT POWER SERVO



No need extra BEC ▶

Waterproof High Accuracy Magnetic Sensor ▶



Huizhou AGF-RC Electronic Technology Co., Ltd.



PRODUCT	A53BULW	A86BUMW	A75BUMW
Size	40.8*20.2*30.2mm	40*20*41.5mm	40*20*41.5mm
Operating Voltage	7.4 ~ 17V	7.4 ~ 17V	7.4 ~ 17V
Weight	66.5g	90.5g	88.5g
Gear	Strength Steel	Strength Steel	Strength Steel
Waterproof Level	IP67	IP67	IP67
Motor	Brushless	Brushless	Brushless
Programmable	YES	YES	YES
Wire	●●●● Black - Red - Black - White	●●●● Black - Red - Black - White	●●●● Black - Red - Black - White
Stall Torque	34.0 kg-cm (472 oz-in) @ 16.8V 33.0 kg-cm (458 oz-in) @ 16.0V 30.0 kg-cm (417 oz-in) @ 14.4V 26.0 kg-cm (361 oz-in) @ 12.0V	66.0 kg-cm (917 oz-in) @ 16.8V 62.0 kg-cm (861 oz-in) @ 16.0V 55.0 kg-cm (764 oz-in) @ 14.4V 46.0 kg-cm (639 oz-in) @ 12.0V	62.0 kg-cm (861 oz-in) @ 16.8V 60.0 kg-cm (834 oz-in) @ 16.0V 54.0 kg-cm (750 oz-in) @ 14.4V 48.0 kg-cm (667 oz-in) @ 12.0V
Operating Speed	0.080 sec /60° @ 16.8V 0.085 sec /60° @ 16.0V 0.092 sec /60° @ 14.4V 0.105 sec /60° @ 12.0V	0.100 sec /60° @ 16.8V 0.108 sec /60° @ 16.0V 0.115 sec /60° @ 14.4V 0.130 sec /60° @ 12.0V	0.092 sec /60° @ 16.8V 0.098 sec /60° @ 16.0V 0.105 sec /60° @ 14.4V 0.125 sec /60° @ 12.0V
Dimension (unit:mm)			

2S - 4S SMART SERVO

Programmable digital smart feature, winch or regular mode change by firmware.

- Extra Strong Patent Steel
- Advanced Linearity
- Digital Programmable

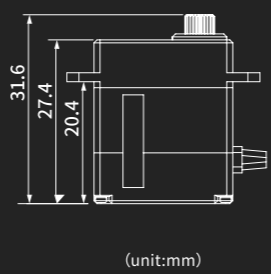
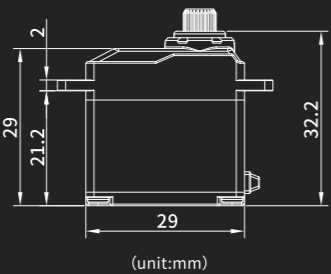
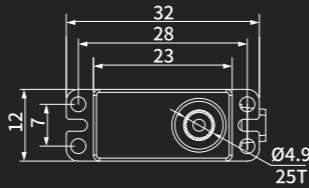
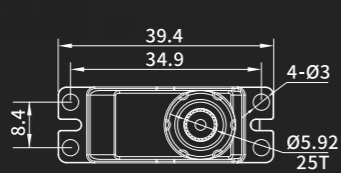


• SA30BHM

Size: 29*14*29mm
 Operating Voltage: 4.8V ~ 8.4V
 Stall Torque: 11.5 kg-cm (159 oz-in) @ 8.4V
 Stall Torque: 8.0 kg-cm (111 oz-in) @ 4.8V
 Operating Speed: 0.060 sec / 60° @ 8.4V
 Operating Speed: 0.100 sec / 60° @ 4.8V
 Weight: 32g
 Gear: Steel+Titanium
 Motor: Brushless
 Programmable: YES

• SA20CLS

Size: 23*12*27.5mm
 Operating Voltage: 4.8V ~ 8.4V
 Stall Torque: 7.5 kg-cm (104 oz-in) @ 8.4V
 Stall Torque: 5.0 kg-cm (70 oz-in) @ 4.8V
 Operating Speed: 0.08 sec / 60° @ 8.4V
 Operating Speed: 0.13 sec / 60° @ 4.8V
 Weight: 20g
 Gear: Strength Steel+Copper
 Motor: Coreless
 Programmable: YES



PRODUCT	SA18	SA19	SA33
Size	40.8*20.2*26.5mm	40.8*20.2*26.5mm	40.8*20.2*29.5mm
Operating Voltage	4.8V ~ 8.4V	4.8V ~ 8.4V	4.8V ~ 8.4V
Weight	55g	54.5g	66g
Gear	Strength Steel	Strength Steel	Strength Steel
Waterproof Level	IP67	IP67	IP67
Motor	Coreless	Brushless	Brushless
Programmable	YES	YES	YES
Wire	○○○ Black - Black - Grey	○○○ Black - Black - Grey	○○○ Black - Black - Grey
Stall Torque	18.0 kg-cm (250 oz-in) @ 8.4V 11.0 kg-cm (153 oz-in) @ 4.8V	19.0 kg-cm (264 oz-in) @ 8.4V 13.0 kg-cm (180 oz-in) @ 4.8V	33.0 kg-cm (458 oz-in) @ 8.4V 20.0 kg-cm (278 oz-in) @ 4.8V
Operating Speed	0.11 sec / 60° @ 8.4V 0.14 sec / 60° @ 4.8V	0.073 sec / 60° @ 8.4V 0.110 sec / 60° @ 4.8V	0.068 sec / 60° @ 8.4V 0.110 sec / 60° @ 4.8V
Dimension (unit:mm)			



PRODUCT	SA66BVMW	SA81BVMW	SA75CVSW
Size	40.8*20.2*29.5mm	40*20*37.5mm	40*20*41.5mm
Operating Voltage	7.4V ~ 14.4V	10V ~ 14V	10V ~ 13V
Weight	66g	81g	82g
Gear	Strength Steel	Strength Steel	Strength Steel+Titanium
Waterproof Level	IP67	IP67	IP67
Motor	Brushless	Brushless	Coreless
Programmable	YES	YES	YES
Wire	●●● Black - Red - Black - White	●●● Black - Red - Black - White	●●● Black - Red - Black - White
Stall Torque	35.0 kg-cm (486 oz-in) @ 14.4V 28.0 kg-cm (389 oz-in) @ 11.1V	48.0 kg-cm (667 oz-in) @ 14.0V 36.0 kg-cm (500 oz-in) @ 11.1V	45.0 kg-cm (625 oz-in) @ 12.6V 39.0 kg-cm (542 oz-in) @ 11.1V
Operating Speed	0.073 sec / 60° @ 14.4V 0.095 sec / 60° @ 11.1V	0.095 sec / 60° @ 14.0V 0.120 sec / 60° @ 11.1V	0.090 sec / 60° @ 12.6V 0.105 sec / 60° @ 11.1V
Dimension (unit:mm)			



PRODUCT	SA81FHSW	SA81FHMW	SA81FHxW
Size	40*20*38mm	40*20*38mm	40*20*38mm
Operating Voltage	4.8V ~ 8.4V	4.8V ~ 8.4V	4.8V ~ 8.4V
Weight	88.5g	85g	85g
Gear	Strength Steel	Strength Steel	Strength Steel
Waterproof Level	IP67	IP67	IP67
Motor	4-Pole Brushless	4-Pole Brushless	4-Pole Brushless
Programmable	YES	YES	YES
Wire	○○○ Black - Black - Grey	○○○ Black - Black - Grey	○○○ Black - Black - Grey
Stall Torque	68.0 kg-cm (945 oz-in) @ 8.4V 42.0 kg-cm (583 oz-in) @ 4.8V	74.0 kg-cm (1028 oz-in) @ 8.4V 45.0 kg-cm (625 oz-in) @ 4.8V	54.0 kg-cm (760 oz-in) @ 8.4V 36.0 kg-cm (500 oz-in) @ 4.8V
Operating Speed	0.105 sec / 60° @ 8.4V 0.160 sec / 60° @ 4.8V	0.125 sec / 60° @ 8.4V 0.190 sec / 60° @ 4.8V	0.082 sec / 60° @ 8.4V 0.125 sec / 60° @ 4.8V
Dimension (unit:mm)			

FEEDBACK SERVO

Big advantage of position feedback servo, implements position measurements, have your project react wherever you need and wisely control your equipment. This extra information enables more complex applications, such as determining when the servo has reached its target, detecting when the output is blocked, or implementing your own higher-level closed-loop position control.

8.4V 2S LiPo

High Voltage Capable



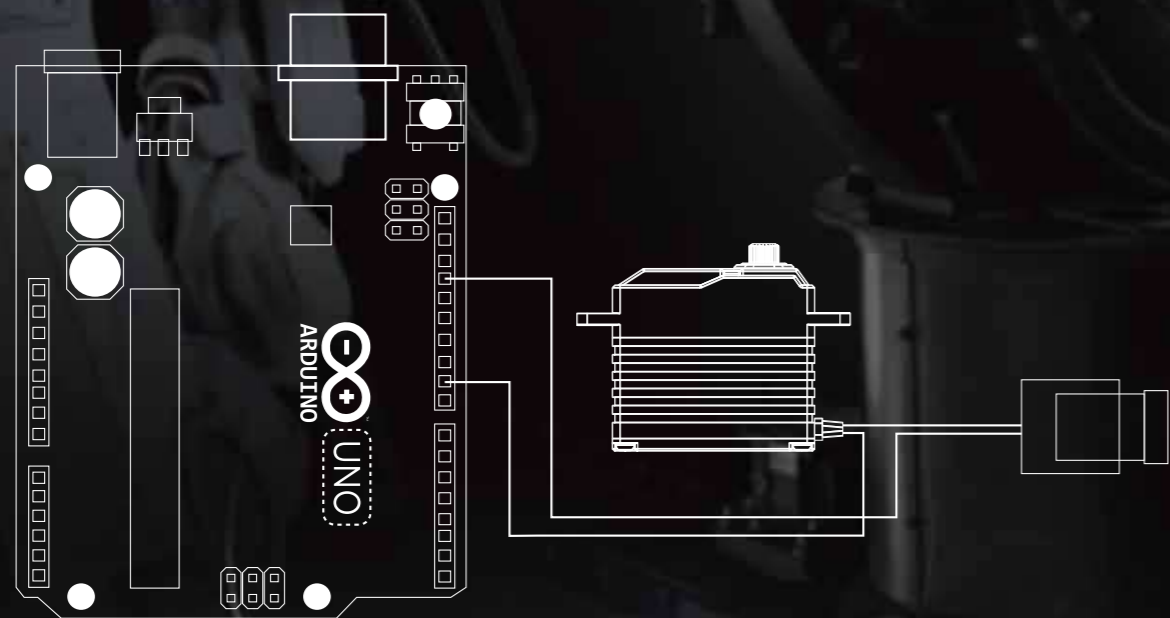
Steel Gear

and Structure Enhance



Digital USB

Programmable Servo



Huizhou AGF-RC Electronic Technology Co., Ltd.



PRODUCT	IB53BHU	IA73BHLW	IA81BHLW
Size	40*20*37.8mm	40*20*37.5mm	40*20*37.5mm
Operating Voltage	4.8V ~ 8.4V	4.8V ~ 8.4V	4.8V ~ 8.4V
Weight	69.5g	76.6g	81g
Gear	Strength Steel	Strength Steel	Strength Steel
Waterproof Level	IP67	IP67	IP67
Motor	Brushless	Brushless	Brushless
Programmable	YES	YES	YES
Wire	● ● ● ● Black-Red-White-Orangey	● ● ● ● Black-Red-White-Orangey	● ● ● ● Black-Red-White-Orangey
Stall Torque	40 kg-cm (556 oz-in) @ 8.4V 27 kg-cm (375 oz-in) @ 4.8V	74.0 kg-cm (1028 oz-in) @ 8.4V 45.0 kg-cm (625 oz-in) @ 4.8V	54.0 kg-cm (760 oz-in) @ 8.4V 36.0 kg-cm (500 oz-in) @ 4.8V
Operating Speed	0.105sec/60° @ 8.4V 0.180sec/60° @ 4.8V	0.125 sec / 60° @ 8.4V 0.190 sec / 60° @ 4.8V	0.082 sec / 60° @ 8.4V 0.125 sec / 60° @ 4.8V
Dimension (unit:mm)			

4-POLE BRUSHLESS SERVO

The powerful 4-pole brushless motor delivers ultra torque and highest durability, and it has more efficiency for faster response when operation. It is built to be extremely tough and durable to stand up to the roughest conditions! Equipped with all CNC machined high quality steel gear, a super light and durable aluminum case that maximizes heat dissipation and a waterproof design.

Ultra Torque
Powerful Servo

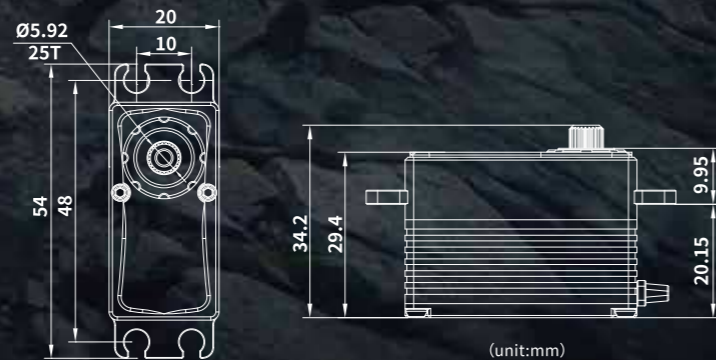
Super Reliable Sealed
Dustproof Ball Bearing

Best-in-class
Components



A66FHLW

- Size: 40.8*20.2*29.5mm
- Operating Voltage: 4.8V ~ 8.4V
- Stall Torque: 60 kg-cm (834 oz-in) @ 8.4V
- Stall Torque: 41 kg-cm (569 oz-in) @ 4.8V
- Operating Speed: 0.100sec/ 60° @ 8.4V
- Operating Speed: 0.145sec/ 60° @ 4.8V
- Weight: 66g
- Gear: Steel
- Waterproof Level: IP67
- Motor: 4-Pole Brushless
- Programmable: YES

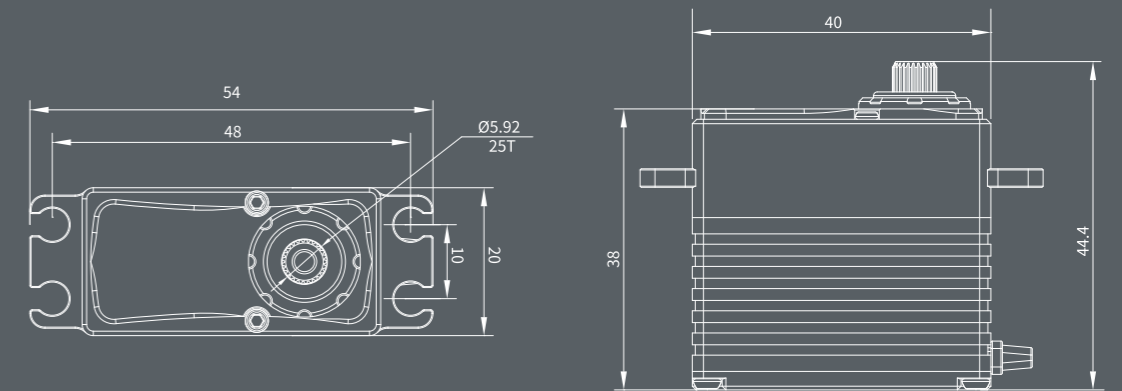


Huizhou AGF-RC Electronic Technology Co., Ltd.



PRODUCT	A81FHS	A81FHM	A81FHX
Size	40*20*38mm	40*20*38mm	40*20*38mm
Operating Voltage	4.8V ~ 8.4V	4.8V ~ 8.4V	4.8V ~ 8.4V
Weight	85g	85g	85g
Gear	Strength Steel	Strength Steel	Strength Steel
Waterproof Level	/	/	/
Motor	4-Pole Brushless	4-Pole Brushless	4-Pole Brushless
Programmable	YES	YES	YES
Wire	○○○ Black - Black - Grey	○○○ Black - Black - Grey	○○○ Black - Black - Grey
Stall Torque	68.0 kg-cm (945 oz-in) @ 8.4V 42.0 kg-cm (583 oz-in) @ 4.8V	74 kg-cm (1028 oz-in) @ 8.4V 45 kg-cm (625 oz-in) @ 4.8V	54.0 kg-cm (750 oz-in) @ 8.4V 36.0 kg-cm (500 oz-in) @ 4.8V
Operating Speed	0.105 sec / 60° @ 8.4V 0.160 sec / 60° @ 4.8V	0.125 sec / 60° @ 8.4V 0.190 sec / 60° @ 4.8V	0.082 sec / 60° @ 8.4V 0.125 sec / 60° @ 4.8V

Dimension
(unit:mm)



MAGNETIC WATERPROOF SERVO

Fine sealed & high precision housing structure, unique all aluminum design with increased heat dissipation processed in the middle and bottom shells, allow the internal structure of the servo absorb heat evenly and run smoothly in high efficiency.

WATERPROOF CONSTRUCTION

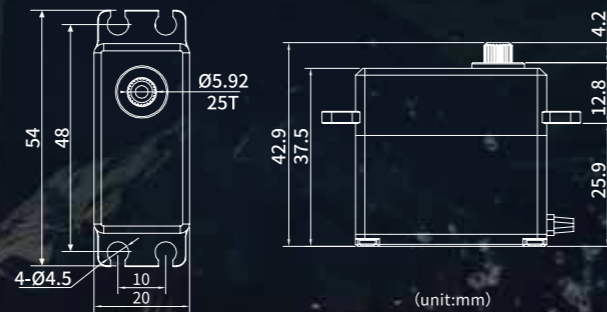
for Harsh Elements

STRONG UNIQUE STEEL GEARS PROVIDE

Durability and Assurance

IP67 WATERPROOF HIGH PRECISION

Magnetic Sensor



A73CHLW V2

Size: 40*20*37.5mm
 Operating Voltage: 4.8V ~ 8.4V
 Stall Torque: 32.0 kg-cm (444 oz-in) @ 8.4V
 Stall Torque: 22.0 kg-cm (305 oz-in) @ 4.8V
 Operating Speed: 0.135 sec / 60° @ 8.4V
 Operating Speed: 0.180 sec / 60° @ 4.8V
 Weight: 73g
 Gear: Strength Steel
 Waterproof Level: IP67
 Motor: Coreless
 Programmable: YES

A73BHLW V2

Size: 40*20*37.5mm
 Operating Voltage: 4.8V ~ 8.4V
 Stall Torque: 40 kg-cm (556 oz-in) @ 8.4V
 Stall Torque: 25 kg-cm (347 oz-in) @ 4.8V
 Operating Speed: 0.100sec/60° @ 8.4V
 Operating Speed: 0.145sec/ 60° @ 4.8V
 Weight: 73.5g
 Gear: Strength Steel
 Waterproof Level: IP67
 Motor: Brushless
 Programmable: YES

A73BHUW

Size: 40*20*37.5mm
 Operating Voltage: 4.8V ~ 8.4V
 Stall Torque: 44 kg-cm (611 oz-in) @ 8.4V
 Stall Torque: 27 kg-cm (375 oz-in) @ 4.8V
 Operating Speed: 0.105sec/ 60° @ 8.4V
 Operating Speed: 0.180sec/ 60° @ 4.8V
 Weight: 73.5g
 Gear: Strength Steel
 Waterproof Level: IP67
 Motor: Brushless
 Programmable: YES

NOTE The waterproof servo can be used in 1 meter depth freshwater within 30 minute, and please blow dry the servo after you have used it in the water.



Huizhou AGF-RC Electronic Technology Co., Ltd.



PRODUCT	A81BHSW	A81BMWP	A86BHMW
Size	40*20*37.5mm	40*20*37.5mm	40*20*41.5mm
Operating Voltage	4.8V ~ 8.4V	4.8V ~ 8.4V	4.8V ~ 8.4V
Weight	83g	83g	88.5g
Gear	Strength Steel	Strength Steel	Steel
Waterproof Level	IP67	IP67	IP67
Motor	Brushless	Brushless	Brushless
Programmable	YES	YES	YES
Wire	○○○ Black - Black - Grey	○○○ Black - Black - Grey	○○○ Black - Black - Grey
Stall Torque	35.0 kg-cm (486 oz-in) @ 8.4V 25.0 kg-cm (347 oz-in) @ 4.8V	55 kg-cm (764 oz-in) @ 8.4V 32 kg-cm (444 oz-in) @ 4.8V	55.0 kg-cm (764 oz-in) @ 8.4V 35.0 kg-cm (486 oz-in) @ 4.8V
Operating Speed	0.075 sec / 60° @ 8.4V 0.110 sec / 60° @ 4.8V	0.087sec/ 60°@ 8.4V 0.145sec/ 60°@ 4.8V	0.110 sec / 60° @ 8.4V 0.175 sec / 60° @ 4.8V
Dimension (unit:mm)			



PRODUCT	A80BHMW V2	A80BHSW V2	
Size	40*20*37.5mm	40*20*37.5mm	
Operating Voltage	4.8V ~ 8.4V	4.8V ~ 8.4V	
Weight	79g	79g	
Gear	Strength Steel	Strength Steel	
Waterproof Level	IP67	IP67	
Motor	Brushless	Brushless	
Programmable	YES	YES	
Wire	○○○ Black - Black - Grey	○○○ Black - Black - Grey	
Stall Torque	40.0 kg-cm (556 oz-in) @ 8.4V 27.0 kg-cm (375 oz-in) @ 4.8V	36.0 kg-cm (500 oz-in) @ 8.4V 23.0 kg-cm (319 oz-in) @ 4.8V	
Operating Speed	0.085 sec / 60° @ 8.4V 0.140 sec / 60° @ 4.8V	0.071 sec / 60° @ 8.4V 0.120 sec / 60° @ 4.8V	



PRODUCT	A81BHPW	A81BHMW	
Size	40*20*37.5mm	40*20*37.5mm	
Operating Voltage	4.8V ~ 8.4V	4.8V ~ 8.4V	
Weight	81g	81g	
Gear	Steel	Steel	
Waterproof Level	IP67	IP67	
Motor	Brushless	Brushless	
Programmable	YES	YES	
Wire	○○○ Black - Black - Grey	○○○ Black - Black - Grey	
Stall Torque	23.0 kg-cm (320 oz-in) @ 8.4V 12.0 kg-cm (167 oz-in) @ 4.8V	45.0 kg-cm (625 oz-in) @ 8.4V 28.0 kg-cm (389 oz-in) @ 4.8V	
Operating Speed	0.052 sec / 60° @ 8.4V 0.080 sec / 60° @ 4.8V	0.085 sec / 60° @ 8.4V 0.140 sec / 60° @ 4.8V	



PRODUCT	53CHLW	B53BHPW	
Size	40*20*37.8mm	40*20*37.8mm	
Operating Voltage	4.8V ~ 8.4V	4.8V ~ 8.4V	
Weight	69.5g	69.5g	
Gear	Strength Steel	Strength Steel	
Waterproof Level	IP67	IP67	
Motor	Coreless	Brushless	
Programmable	YES	YES	
Wire	○○○ Black - Black - Grey	○○○ Black - Black - Grey	
Stall Torque	32.0 kg-cm (445 oz-in) @ 8.4V 22.0 kg-cm (306 oz-in) @ 4.8V	20.0 kg-cm (278 oz-in) @ 8.4V 10.0 kg-cm (139 oz-in) @ 4.8V	
Operating Speed	0.135 sec / 60° @ 8.4V 0.180 sec / 60° @ 4.8V	0.055 sec / 60° @ 8.4V 0.085 sec / 60° @ 4.8V	



PRODUCT	B53CHMW	B53BHLW	
Size	40*20*37.8mm	40*20*37.8mm	
Operating Voltage	4.8V ~ 8.4V	4.8V ~ 8.4V	
Weight	69.5g	69.5g	
Gear	Strength Steel	Strength Steel	
Waterproof Level	IP67	IP67	
Motor	Coreless	Brushless	
Programmable	YES	YES	
Wire	○○○ Black - Black - Grey	○○○ Black - Black - Grey	
Stall Torque	26.0 kg-cm (361 oz-in) @ 8.4V 19.0 kg-cm (264 oz-in) @ 4.8V	31.0 kg-cm (430 oz-in) @ 8.4V 21.0 kg-cm (292 oz-in) @ 4.8V	
Operating Speed	0.100 sec / 60° @ 8.4V 0.160 sec / 60° @ 4.8V	0.090 sec / 60° @ 8.4V 0.150 sec / 60° @ 4.8V	

HELICOPTER & AIRCRAFT SERVO COMBINATION



2S power is not enough for the pilots request for their large class RC helicopters. It is the time to upgrade your 700-800 Class helis. 3S super high voltage is the surprise for this special need. AGFRC 12 volt brushless servo A80BVSH and A80BVPH is the perfect spec combine, offers extremely power and speed (40KG 0.086Sec cyclic and 20KG 0.039Sec tail @12.6V).



✈️ A80BVSH

Size: 40*20*37.5mm
 Weight: 79g
 Gear: Strength Steel + Titanium
 Motor: Brushless

✈️ Stall Torque

40.0 kg-cm (556 oz-in) @ 12.6V
 38.0 kg-cm (528 oz-in) @ 12.0V
 35.0 kg-cm (486 oz-in) @ 11.1V
 30.0 kg-cm (417 oz-in) @ 10.0V

✈️ Operating Speed

0.086sec / 60° @ 12.6V
 0.090sec / 60° @ 12.0V
 0.102sec / 60° @ 11.1V
 0.113sec / 60° @ 10.0V

A80BVPH

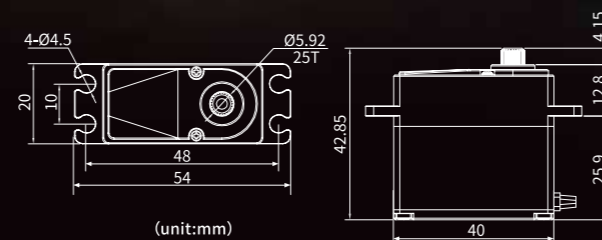
Operating Voltage: 10V ~ 14.4V
 Bearing: 3BB
 Programmable: Yes

Stall Torque

20.0 kg-cm (278 oz-in) @ 12.6V
 18.0 kg-cm (250 oz-in) @ 12.0V
 15.0 kg-cm (208 oz-in) @ 11.1V
 13.0 kg-cm (180 oz-in) @ 10.0V

Operating Speed

0.039sec / 60° @ 12.6V
 0.043sec / 60° @ 12.0V
 0.050sec / 60° @ 11.1V
 0.056sec / 60° @ 10.0V





PRODUCT	A80BHM-H	A80BHN-H	
Size	40*20*37.5mm	40*20*37.5mm	
Operating Voltage	4.8V ~ 8.4V	4.8V ~ 8.4V	
Weight	79g	79g	
Gear	Steel+Titanium	Steel+Titanium	
Waterproof Level	/	/	
Motor	Brushless	Brushless	
Programmable	YES	YES	
Wire	○ ○ ○ Black → Black - White	○ ○ ● Black - Black - White	
Stall Torque	38 kg-cm (528 oz-in) @ 8.4V 23 kg-cm (320 oz-in) @ 4.8V	22 kg-cm (306 oz-in) @ 8.4V 12 kg-cm (167 oz-in) @ 4.8V	
Operating Speed	0.085sec / 60° @ 8.4V 0.145sec / 60° @ 4.8V	0.055sec / 60° @ 8.4V 0.081sec / 60° @ 4.8V	



PRODUCT	A35BHL-H	A35BHM-H	
Size	35.5*15*29.2mm	35.5*15*29.2mm	
Operating Voltage	4.8V ~ 8.4V	4.8V ~ 8.4V	
Weight	45g	41g	
Gear	Steel	Titanium	
Waterproof Level	/	/	
Motor	Brushless	Brushless	
Programmable	YES	YES	
Wire	○ ● ● Black - Red - White	○ ● ● Black - Red - White	
Stall Torque	16 kg-cm (222 oz-in) @ 8.4V 10 kg-cm (139 oz-in) @ 4.8V	8.5 kg-cm (118 oz-in) @ 8.4V 5.0 kg-cm (70 oz-in) @ 4.8V	
Operating Speed	0.080sec / 60° @ 8.4V 0.125sec / 60° @ 4.8V	0.065sec / 60° @ 8.4V 0.090sec / 60° @ 4.8V	



PRODUCT	A80BHX-H	A80BHP-H	
Size	40*20*37.5mm	40*20*37.5mm	
Operating Voltage	4.8V ~ 8.4V	4.8V ~ 8.4V	
Weight	79g	79g	
Gear	Steel+Titanium	Steel	
Waterproof Level	/	/	
Motor	Brushless	Brushless	
Programmable	YES	YES	
Wire	○ ○ ○ Black - Black - Grey	○ ○ ● Black - Black - White	
Stall Torque	30 kg-cm (417 oz-in) @ 8.4V 22 kg-cm (306 oz-in) @ 4.8V	18.5 kg-cm (257 oz-in) @ 8.4V 12.0 kg-cm (195 oz-in) @ 4.8V	
Operating Speed	0.038sec / 60° @ 8.4V 0.060sec / 60° @ 4.8V	0.030sec / 60° @ 8.4V 0.045sec / 60° @ 4.8V	



PRODUCT	A80BHM-F	A80BHS-F	
Size	40*20*37.5mm	40*20*37.5mm	
Operating Voltage	4.8V ~ 8.4V	4.8V ~ 8.4V	
Weight	79g	79g	
Gear	Steel+Titanium	Steel+Titanium	
Waterproof Level	/	/	
Motor	Brushless	Brushless	
Programmable	YES	YES	
Wire	○ ● ● Black - Red - White	○ ● ● Black - Red - White	
Stall Torque	40 kg-cm (556 oz-in) @ 8.4V 27 kg-cm (375 oz-in) @ 4.8V	36 kg-cm (500 oz-in) @ 8.4V 23 kg-cm (319 oz-in) @ 4.8V	
Operating Speed	0.085sec / 60° @ 8.4V 0.140sec / 60° @ 4.8V	0.071sec / 60° @ 8.4V 0.120sec / 60° @ 4.8V	

STANDARD SERVO

The most common servo used for many applications. Whether you are budget or performance focused while looking for different size servos such as micro, standard, or giant scale, we have what you need.



Huizhou AGF-RC Electronic Technology Co., Ltd.



PRODUCT	A81BHM	A81BHP	A81BHS
Size	40*20*37.5mm	40*20*37.5mm	40*20*37.5mm
Operating Voltage	4.8V ~ 8.4V	4.8V ~ 8.4V	4.8V ~ 8.4V
Weight	78g	78g	78g
Gear	Steel	Steel	Steel
Waterproof Level	/	/	/
Motor	Brushless	Brushless	Brushless
Programmable	YES	YES	YES
Wire	○○○ Black - Black - Grey	○○○ Black - Black - Grey	○○○ Black - Black - Grey
Stall Torque	45 kg-cm (625 oz-in) @ 8.4V 28 kg-cm (389 oz-in) @ 4.8V	23 kg-cm (320 oz-in) @ 8.4V 12 kg-cm (167 oz-in) @ 4.8V	35 kg-cm (486 oz-in) @ 8.4V 25 kg-cm (347 oz-in) @ 4.8V
Operating Speed	0.085sec / 60° @ 8.4V 0.140sec / 60° @ 4.8V	0.052sec / 60° @ 8.4V 0.080sec / 60° @ 4.8V	0.075sec / 60° @ 8.4V 0.110sec / 60° @ 4.8V
Dimension (unit:mm)			



PRODUCT	A81CHL	A80BHM V2	A80BHS V2
Size	40*20*37.5mm	40*20*37.5mm	40*20*37.5mm
Operating Voltage	4.8V ~ 8.4V	4.8V ~ 8.4V	4.8V ~ 8.4V
Weight	78g	79g	79g
Gear	Steel	Steel	Steel
Waterproof Level	/	/	/
Motor	Coreless	Brushless	Brushless
Programmable	YES	YES	YES
Wire	○ ○ ○ Black - Black - Grey	○ ○ ○ Black - Black - Grey	○ ○ ○ Black - Black - Grey
Stall Torque	50 kg-cm (695 oz-in) @ 8.4V 32 kg-cm (444 oz-in) @ 4.8V	40 kg-cm (556 oz-in) @ 8.4V 27 kg-cm (375 oz-in) @ 4.8V	36 kg-cm (500 oz-in) @ 8.4V 23 kg-cm (319 oz-in) @ 4.8V
Operating Speed	0.168sec / 60° @ 8.4V 0.235sec / 60° @ 4.8V	0.085sec/60°@ 8.4V 0.140sec/60°@ 4.8V	0.071sec/60°@ 8.4V 0.120sec/60°@ 4.8V
Dimension (unit:mm)			

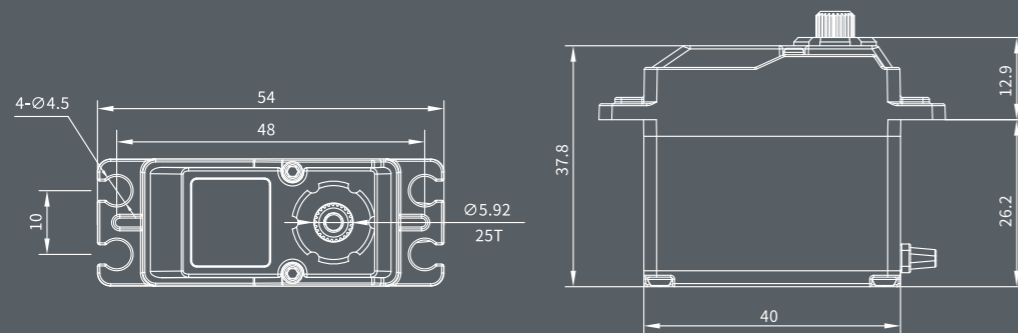


PRODUCT	B53BHL	B53BHP	B53CHL
Size	40*20*37.8mm	40*20*37.8mm	40*20*37.8mm
Operating Voltage	4.8V ~ 8.4V	4.8V ~ 8.4V	4.8V ~ 8.4V
Weight	69.5g	69.5g	69.5g
Gear	Steel	Steel	Steel
Waterproof Level	/	/	/
Motor	Brushless	Brushless	Coreless
Programmable	YES	YES	YES
Wire	○ ● ● Black - Red - White	○ ● ● Black - Red - White	○ ● ● Black - Red - White
Stall Torque	31 kg-cm (430 oz-in) @ 8.4V 21 kg-cm (291 oz-in) @ 4.8V	20 kg-cm (278 oz-in) @ 8.4V 10 kg-cm (139 oz-in) @ 4.8V	32 kg-cm (445 oz-in) @ 8.4V 22 kg-cm (306 oz-in) @ 4.8V
Operating Speed	0.090sec / 60° @ 8.4V 0.150sec / 60° @ 4.8V	0.055sec / 60° @ 8.4V 0.085sec / 60° @ 4.8V	0.135sec / 60° @ 8.4V 0.180sec / 60° @ 4.8V
Dimension (unit:mm)			



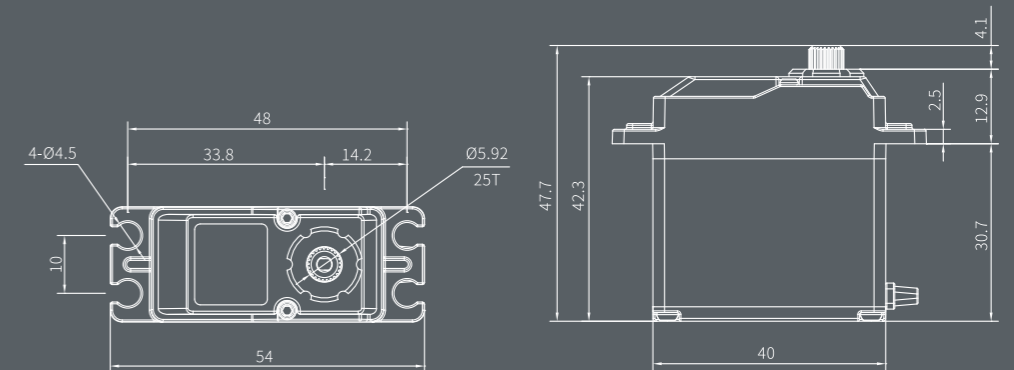
PRODUCT	B53CHM	B53CHS	B53CHN
Size	40*20*37.8mm	40*20*37.8mm	40*20*37.8mm
Operating Voltage	4.8V ~ 8.4V	4.8V ~ 8.4V	4.8V ~ 8.4V
Weight	69.5g	69.5g	69.5g
Gear	Steel	Steel	Steel
Waterproof Level	/	/	/
Motor	Coreless	Coreless	Coreless
Programmable	YES	YES	YES
Wire	●●● Black - Red - White	●●● Black - Red - White	●●● Black - Red - White
Stall Torque	26 kg-cm (361 oz-in) @ 8.4V 19 kg-cm (264 oz-in) @ 4.8V	24.0 kg-cm (333 oz-in) @ 8.4V 16.5 kg-cm (229 oz-in) @ 4.8V	20.5 kg-cm (284 oz-in) @ 8.4V 12.0 kg-cm (166 oz-in) @ 4.8V
Operating Speed	0.100sec / 60° @ 8.4V 0.160sec / 60° @ 4.8V	0.080sec / 60° @ 8.4V 0.130sec / 60° @ 4.8V	0.060sec / 60° @ 8.4V 0.100sec / 60° @ 4.8V

Dimension
(unit:mm)



PRODUCT	B53DHS	B53DHN
Size	40*20*42.3mm	40*20*42.3mm
Operating Voltage	4.8V ~ 8.4V	4.8V ~ 8.4V
Weight	65g	65g
Gear	Titanium	Titanium
Waterproof Level	/	/
Motor	DC	DC
Programmable	YES	YES
Wire	●●● Black - Red - White	●●● Black - Red - White
Stall Torque	24.0 kg-cm (333 oz-in) @ 8.4V 17.0 kg-cm (236 oz-in) @ 4.8V	20.0 kg-cm (278 oz-in) @ 8.4V 13.0 kg-cm (180 oz-in) @ 4.8V
Operating Speed	0.19sec/60°@ 8.4V 0.24sec/60°@ 4.8V	0.17sec/60°@ 8.4V 0.23sec/60°@ 4.8V

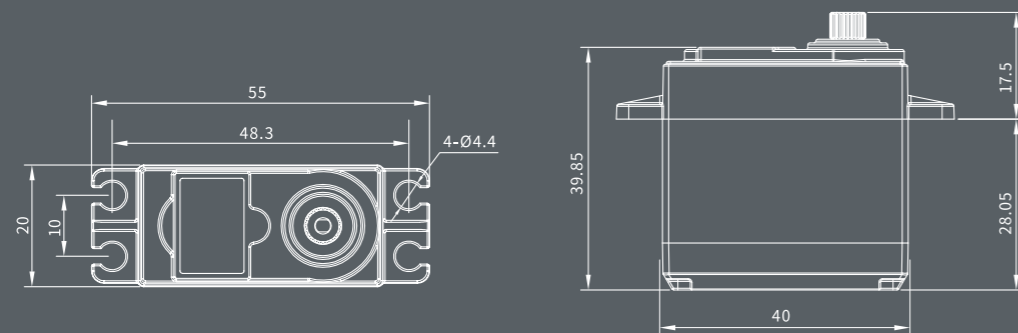
Dimension
(unit:mm)





PRODUCT	B52DLS	B55DLM	B55DLS
Size	40*20*40mm	40*20*40mm	40*20*40mm
Operating Voltage	4.8~6.0V	4.8~6.0V	4.8~6.0V
Weight	52g	62.3g	62.3g
Gear	Copper	Copper	Copper
Waterproof Level	/	/	/
Motor	DC	DC	DC
Programmable	/	/	/
Wire	●●● Brown - Red - Orange	●●● Brown - Red - Orange	●●● Brown - Red - Orange
Stall Torque	7.5 kg-cm (104 oz-in) @ 6.0V 6.5 kg-cm (90 oz-in) @ 4.8V	17 kg-cm (236 oz-in) @ 6.0V 15 kg-cm (208 oz-in) @ 4.8V	11.5 kg-cm (160 oz-in) @ 6.0V 10.0 kg-cm (139 oz-in) @ 4.8V
Operating Speed	0.21 sec / 60° @ 6.0V 0.22 sec / 60° @ 4.8V	0.24sec / 60° @ 6.0V 0.26sec / 60° @ 4.8V	0.22sec / 60° @ 6.0V 0.24sec / 60° @ 4.8V

Dimension (unit:mm)



LOW PROFILE SERVO

OUTSTANDING PERFORMANCE

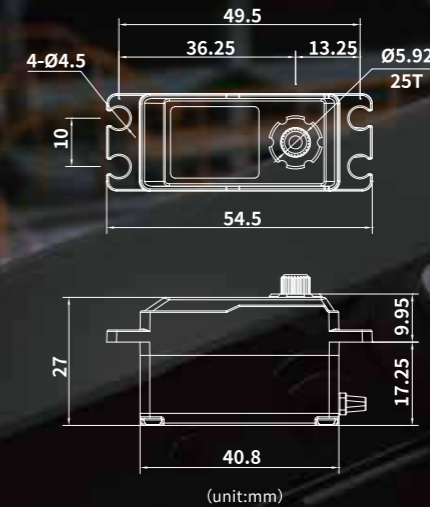
Different material case design for different enthusiasts requirements. Full aluminum case and structure with bomb proof durability for the ones who ask for high end and fast cooling

► B45BHL V2

Size: 40.8*20.2*27mm
 Operating Voltage: 4.8~8.4V
 Weight: 48g
 Gear: Steel+Titanium
 Motor: Brushless
 Programmable: YES

Stall Torque:
 18 kg-cm (250 oz-in) @ 8.4V
 12 kg-cm (166 oz-in) @ 4.8V

Operating Speed:
 0.065sec / 60° @ 8.4V
 0.105sec / 60° @ 4.8V



◀ JR Plug



◀ Aluminium Middle Case



◀ Programmable





PRODUCT	B45BLS V2	B44BLS V2	
Size	40.8*20.2*27mm	40.8*20.2*27mm	
Operating Voltage	4.8V ~ 8.4V	4.8V ~ 8.4V	
Weight	48g	48g	(unit:mm)
Gear	Steel	Titanium	
Waterproof Level	/	/	
Motor	Brushless	Brushless	
Programmable	YES	YES	
Wire	●●● Black - Red - White	●●● Black - Red - White	
Stall Torque	14.5 kg-cm (201 oz-in) @ 8.4V 10.0 kg-cm (139 oz-in) @ 4.8V	15.5 kg-cm (215 oz-in) @ 8.4V 10.0 kg-cm (139 oz-in) @ 4.8V	
Operating Speed	0.062sec / 60° @ 8.4V 0.085sec / 60° @ 4.8V	0.060sec / 60° @ 8.4V 0.080sec / 60° @ 4.8V	



PRODUCT	B45CLS V2	B45CHM V2	
Size	40.8*20.2*27mm	40.8*20.2*27mm	
Operating Voltage	4.8V ~ 8.4V	4.8V ~ 8.4V	
Weight	48g	48g	(unit:mm)
Gear	Steel	Steel+Titanium	
Waterproof Level	/	/	
Motor	Coreless	Coreless	
Programmable	YES	YES	
Wire	●●● Black - Red - White	●●● Black - Red - White	
Stall Torque	14 kg-cm (195 oz-in) @ 8.4V 10 kg-cm (139 oz-in) @ 4.8V	18 kg-cm (250 oz-in) @ 8.4V 11 kg-cm (153 oz-in) @ 4.8V	
Operating Speed	0.074sec / 60° @ 8.4V 0.105sec / 60° @ 4.8V	0.110sec / 60° @ 8.4V 0.140sec / 60° @ 4.8V	



PRODUCT	A50BHL	A50CHM	
Size	40.8*20.2*26.5mm	40.8*20.2*26.5mm	
Operating Voltage	4.8V ~ 8.4V	4.8V ~ 8.4V	
Weight	54g	54g	(unit:mm)
Gear	Steel+Titanium	Steel+Titanium	
Waterproof Level	/	/	
Motor	Brushless	Coreless	
Programmable	YES	YES	
Wire	○○○ Black - Black - Grey	○○○ Black - Black - Grey	
Stall Torque	19 kg-cm (264 oz-in) @ 8.4V 13 kg-cm (180 oz-in) @ 4.8V	18 kg-cm (250 oz-in) @ 8.4V 11 kg-cm (153 oz-in) @ 4.8V	
Operating Speed	0.073sec / 60° @ 8.4V 0.110sec / 60° @ 4.8V	0.11sec / 60° @ 8.4V 0.14sec / 60° @ 4.8V	



PRODUCT	A50CHMW	A50BHLW	
Size	40.8*20.2*26.5mm	40.8*20.2*26.5mm	
Operating Voltage	4.8V ~ 8.4V	4.8V ~ 8.4V	
Weight	54g	54g	(unit:mm)
Gear	Steel+Titanium	Steel+Titanium	
Waterproof Level	IP67	IP67	
Motor	Coreless	Brushless	
Programmable	YES	YES	
Wire	○○○ Black - Black - Grey	○○○ Black - Black - Grey	
Stall Torque	18 kg-cm (250 oz-in) @ 8.4V 11 kg-cm (153 oz-in) @ 4.8V	19 kg-cm (264 oz-in) @ 8.4V 13 kg-cm (180 oz-in) @ 4.8V	
Operating Speed	0.11sec / 60° @ 8.4V 0.14sec / 60° @ 4.8V	0.073sec / 60° @ 8.4V 0.110sec / 60° @ 4.8V	



PRODUCT	A62BHL	A62BHS	<p>(unit:mm)</p>
Size	40.8*20.2*26.5mm	40.8*20.2*26.5mm	
Operating Voltage	4.8V ~ 8.4V	4.8V ~ 8.4V	
Weight	57.3g	57.3g	
Gear	Steel	Steel	
Waterproof Level	/	/	
Motor	Brushless	Brushless	
Programmable	YES	YES	
Wire	○○○ Black - Black - Grey	○○○ Black - Black - Grey	
Stall Torque	20.0 kg-cm (278 oz-in) @ 8.4V 14.0 kg-cm (195 oz-in) @ 4.8V	16.0 kg-cm (222 oz-in) @ 8.4V 10.0 kg-cm (139 oz-in) @ 4.8V	
Operating Speed	0.070sec / 60° @ 8.4V 0.105sec / 60° @ 4.8V	0.058sec / 60° @ 8.4V 0.080sec / 60° @ 4.8V	



PRODUCT	A62CLM	A62CLS	<p>(unit:mm)</p>
Size	40.8*20.2*26.5mm	40.8*20.2*26.5mm	
Operating Voltage	4.8V ~ 8.4V	4.8V ~ 8.4V	
Weight	57.3g	57.3g	
Gear	Steel	Steel	
Waterproof Level	/	/	
Motor	Coreless	Coreless	
Programmable	YES	YES	
Wire	○○○ Black - Black - Grey	○○○ Black - Black - Grey	
Stall Torque	18 kg-cm (250 oz-in) @ 8.4V 11 kg-cm (152 oz-in) @ 4.8V	14 kg-cm (195 oz-in) @ 8.4V 10 kg-cm (139 oz-in) @ 4.8V	
Operating Speed	0.110sec / 60° @ 8.4V 0.140sec / 60° @ 4.8V	0.074sec / 60° @ 8.4V 0.105sec / 60° @ 4.8V	



PRODUCT	A66BHLW	B44DLM V2	B45CHMZ
Size	40.8*20.2*29.5mm	40.8*20.2*29.5mm	40.8*20.2*27mm
Operating Voltage	4.8V ~ 8.4V	4.8V ~ 8.4V	4.8V ~ 8.4V
Weight	66g	44g	45g
Gear	Steel	Titanium	Titanium
Waterproof Level	IP67	/	/
Motor	Brushless	DC	Coreless
Programmable	YES	YES	YES
Wire	○○○ Black - Black - Grey	●●● Black - Red - White	●●● Brown - Red - Orange
Stall Torque	33.0 kg-cm (458 oz-in) @ 8.4V 20.0 kg-cm (278 oz-in) @ 4.8V	15.0 kg-cm (208 oz-in) @ 8.4V 10.0 kg-cm (139 oz-in) @ 4.8V	14 kg-cm (195 oz-in) @ 8.4V 10 kg-cm (139 oz-in) @ 4.8V
Operating Speed	0.068sec / 60° @ 8.4V 0.110sec / 60° @ 4.8V	0.170sec / 60° @ 8.4V 0.220sec / 60° @ 4.8V	0.086sec / 60° @ 8.4V 0.120sec / 60° @ 4.8V
Dimension (unit:mm)			

HIGH TORQUE SLIM WING SERVO

8mm, 10mm thickness super light weight compact size design, optimize the servo performance with smallest size. Full CNC machined aluminum case with solid gear train.

Featuring the coreless motor providing extreme torque and decent speed as well as fast response. Double metal bearings for maximum smoothness and durability. 4.8-8.4V wide voltage range for more needs. Perfectly designed fit in thin glider and jet wings.



• A04CHR

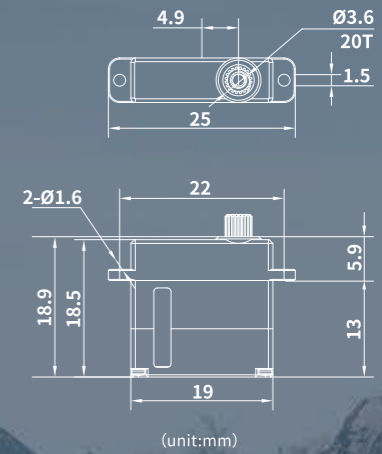
Size: 19.0*6.0*18.5mm
 Operating Voltage: 4.8V ~ 8.4V
 Stall Torque: 2.40 kg-cm (33.3 oz-in) @ 8.4V
 Stall Torque: 1.45 kg-cm (20.0 oz-in) @ 4.8V
 Operating Speed: 0.062sec/60° @ 8.4V
 Operating Speed: 0.090sec/ 60° @ 4.8V
 Weight: *.*g
 Gear: Titanium
 Motor: Coreless
 Programmable: YES



(unit:mm)

• A04CHS

Size: 19.0*6.0*18.5mm
 Operating Voltage: 4.8V ~ 8.4V
 Stall Torque: 2.40 kg-cm (33.3 oz-in) @ 8.4V
 Stall Torque: 1.45 kg-cm (20.0 oz-in) @ 4.8V
 Operating Speed: 0.062sec/60° @ 8.4V
 Operating Speed: 0.090sec/ 60° @ 4.8V
 Weight: *.*g
 Gear: Titanium
 Motor: Coreless
 Programmable: YES



(unit:mm)

- **HV SUPER**
Thin Wing Servo
- **FAST RESPONSE**
Reliable Performance
- **EASIER**
Lighter Installation
- **PERFECTLY DESIGNED**
For Slim Aircraft and Glider Wings



PRODUCT	A05CHR*	A05CHS*	A06CHR
Size	23.0*7.0*23.0mm	23.0*7.0*23.0mm	20*8*17.8mm
Operating Voltage	4.8V ~ 8.4V	4.8V ~ 8.4V	4.8V ~ 8.4V
Weight	**g	**g	7.0g
Gear	Titanium	Titanium	Titanium
Waterproof Level	/	/	/
Motor	Coreless	Coreless	Coreless
Programmable	YES	YES	YES
Wire	●●● Black - Red - White	●●● Black - Red - White	●●● Black - Red - White
Stall Torque	2.1 kg-cm (29.0 oz-in) @ 8.4V 1.3 kg-cm (18.0 oz-in) @ 4.8V	2.1 kg-cm (29.0 oz-in) @ 8.4V 1.3 kg-cm (18.0 oz-in) @ 4.8V	3.0 kg-cm (41 oz-in) @ 8.4V 1.8 kg-cm (25 oz-in) @ 4.8V
Operating Speed	0.045sec / 60° @ 8.4V 0.072sec / 60° @ 4.8V	0.045sec / 60° @ 8.4V 0.072sec / 60° @ 4.8V	0.052sec / 60° @ 8.4V 0.075sec / 60° @ 4.8V
Dimension (unit:mm)			

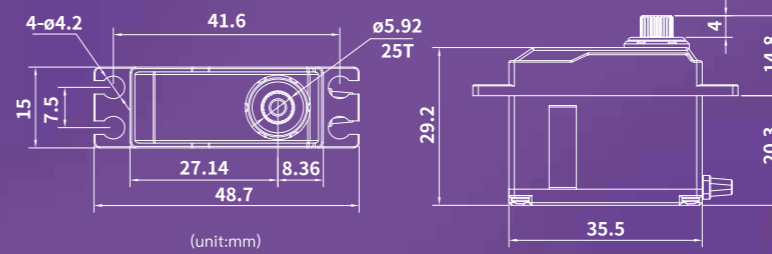


PRODUCT	A06CLS V2	A24CHR	A24CHS
Size	20*8*17.8mm	30*10*30.5mm	30*10*30.5mm
Operating Voltage	4.8V ~ 8.4V	4.8V ~ 8.4V	4.8V ~ 8.4V
Weight	7.0g	24.5g	24.5g
Gear	Titanium	Steel	Steel
Waterproof Level	/	/	/
Motor	Coreless	Coreless	Coreless
Programmable	YES	YES	YES
Wire	●●● Black - Red - White	●●● Black - Red - White	●●● Black - Red - White
Stall Torque	3.0 kg-cm (41 oz-in) @ 8.4V 1.8 kg-cm (25 oz-in) @ 4.8V	8.0 kg-cm (111 oz-in) @ 8.4V 5.0 kg-cm (69 oz-in) @ 4.8V	8.0 kg-cm (111 oz-in) @ 8.4V 5.0 kg-cm (69 oz-in) @ 4.8V
Operating Speed	0.052sec / 60° @ 8.4V 0.075sec / 60° @ 4.8V	0.080sec / 60° @ 8.4V 0.120sec / 60° @ 4.8V	0.080sec / 60° @ 8.4V 0.120sec / 60° @ 4.8V
Dimension (unit:mm)			



PRODUCT	A27CHR	A27CHS
Size	30*10*35.5mm	30*10*35.5mm
Operating Voltage	4.8V ~ 8.4V	4.8V ~ 8.4V
Weight	27.6g	27.6g
Gear	Steel	Steel
Waterproof Level	/	/
Motor	Coreless	Coreless
Programmable	YES	YES
Wire	●●● Black - Red - White	●●● Black - Red - White
Stall Torque	11.0 kg-cm (153 oz-in) @ 8.4V 7.5 kg-cm (104 oz-in) @ 4.8V	11.0 kg-cm (153 oz-in) @ 8.4V 7.5 kg-cm (104 oz-in) @ 4.8V
Operating Speed	0.11sec / 60° @ 8.4V 0.17sec / 60° @ 4.8V	0.11sec / 60° @ 8.4V 0.17sec / 60° @ 4.8V
Dimension (unit:mm)		

MINI SERVO COMPACT SIZE DURABLE



A35BHLP

Size: 35.5*15*29.2mm
 Operating Voltage: 4.8V ~ 8.4V
 Stall Torque: 12.5 kg-cm (173 oz-in) @ 4.8V
 Stall Torque: 22.0 kg-cm (305 oz-in) @ 8.4V
 Operating Speed: 0.105sec / 60° @ 4.8V
 Operating Speed: 0.070sec / 60° @ 8.4V
 Weight: 46g
 Gear: Steel
 Motor: Brushless
 Programmable: YES

- ◆ Compact Size Servo With Great Performance
- ◆ Programmable Feature for DIY
- ◆ Perfect Quality and Precision Control
- ◆ Metal Gears For Super Durability



A35CHM

Size: 35.5*15*29.2mm
 Operating Voltage: 4.8V ~ 8.4V
 Stall Torque: 9.5 kg-cm (132 oz-in) @ 4.8V
 Stall Torque: 12.5 kg-cm (174 oz-in) @ 8.4V
 Operating Speed: 0.145sec / 60° @ 4.8V
 Operating Speed: 0.085sec / 60° @ 8.4V
 Weight: 41g
 Gear: Titanium
 Motor: Coreless
 Programmable: YES

A35BHM

Size: 35.5*15*29.2mm
 Operating Voltage: 4.8V ~ 8.4V
 Stall Torque: 5.0 kg-cm (70 oz-in) @ 4.8V
 Stall Torque: 8.5 kg-cm (118 oz-in) @ 8.4V
 Operating Speed: 0.090sec / 60° @ 4.8V
 Operating Speed: 0.065sec / 60° @ 8.4V
 Weight: 41g
 Gear: Titanium
 Motor: Brushless
 Programmable: YES

A35CHS

Size: 35.5*15*29.2mm
 Operating Voltage: 4.8V ~ 8.4V
 Stall Torque: 6.0 kg-cm (83 oz-in) @ 4.8V
 Stall Torque: 10.5 kg-cm (146 oz-in) @ 8.4V
 Operating Speed: 0.100sec / 60° @ 4.8V
 Operating Speed: 0.075sec / 60° @ 8.4V
 Weight: 41g
 Gear: Titanium
 Motor: Coreless
 Programmable: YES



PRODUCT	B26CLM	B26CLS	B24CLMW
Size	36*15.2*29.7mm	36*15.2*29.7mm	29.5*14*29mm
Operating Voltage	4.8V ~ 8.4V	4.8V ~ 6.0V	4.8V ~ 8.4V
Weight	27.3g	27.3g	23g
Gear	Titanium	Titanium	Titanium
Waterproof Level	/	/	IP67
Motor	Coreless	Coreless	Coreless
Programmable	YES	YES	YES
Wire	○●● Black - Red - White	○●● Black - Red - White	○●● Black - Red - White
Stall Torque	10.50 kg-cm (145 oz-in) @ 8.4V 7.00 kg-cm (97 oz-in) @ 4.8V	6.0 kg-cm (83 oz-in) @ 6.0V 5.0 kg-cm (69 oz-in) @ 4.8V	6.0 kg-cm (83 oz-in) @ 8.4V 4.0 kg-cm (55 oz-in) @ 4.8V
Operating Speed	0.080sec / 60° @ 8.4V 0.105sec / 60° @ 4.8V	0.065sec / 60° @ 6.0V 0.075sec / 60° @ 4.8V	0.085sec / 60° @ 8.4V 0.140sec / 60° @ 4.8V
Dimension (unit:mm)			

DIGITAL MICRO SERVO

HIGH PERFORMANCE

No matter for plastic case servo or metal case servo, total green from material to production. Micro size and super lightweight from 1.7g to 22g. Easy to work for plastic case servos which no need to program. Super tiny design for indoor rc models or small park flyers. Medium aluminum case type with durable metal gear and fast cooling case, offers incredible torque and speed for higher level application.

○ A20BHM

Size: 23*12*27.5mm
Operating Voltage: 4.8V ~ 8.4V
Stall Torque: 11.40 kg-cm (158 oz-in) @ 8.4V
Stall Torque: 7.20 kg-cm (100 oz-in) @ 4.8V
Operating Speed: 0.068sec / 60° @ 8.4V
Operating Speed: 0.105sec / 60° @ 4.8V
Weight: 21g
Gear: Steel + Copper
Motor: Brushless
Programmable: YES
Wire: ○●● Black - Red - White

○ A20BHS

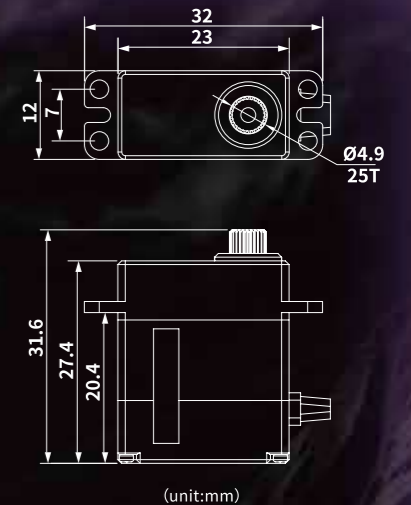
Size: 23*12*27.5mm
Operating Voltage: 4.8V ~ 8.4V
Stall Torque: 10.40 kg-cm (144 oz-in) @ 8.4V
Stall Torque: 6.50 kg-cm (90 oz-in) @ 4.8V
Operating Speed: 0.055sec / 60° @ 8.4V
Operating Speed: 0.085sec / 60° @ 4.8V
Weight: 21g
Gear: Steel + Copper
Motor: Brushless
Programmable: YES
Wire: ○●● Black - Red - White

○ A20CLS

Size: 23*12*27.5mm
Operating Voltage: 4.8V ~ 8.4V
Stall Torque: 7.5 kg-cm (104 oz-in) @ 8.4V
Stall Torque: 5.0 kg-cm (70 oz-in) @ 4.8V
Operating Speed: 0.08sec / 60° @ 8.4V
Operating Speed: 0.13sec / 60° @ 4.8V
Weight: 21g
Gear: Steel + Copper
Motor: Coreless
Programmable: YES
Wire: ○●● Black - Red - White

○ A20CLM

Size: 23*12*27.5mm
Operating Voltage: 4.8V ~ 8.4V
Stall Torque: 10.2 kg-cm (141 oz-in) @ 8.4V
Stall Torque: 6.8 kg-cm (94 oz-in) @ 4.8V
Operating Speed: 0.093sec / 60° @ 8.4V
Operating Speed: 0.155sec / 60° @ 4.8V
Weight: 21g
Gear: Steel + Copper
Motor: Coreless
Programmable: YES
Wire: ○●● Black - Red - White





PRODUCT	A11CLS V3	A19DLM	B13DLM V2
Size	20*11.3*21mm	22.9*12.8*22mm	22.8*12*29.4mm
Operating Voltage	4.8V ~ 6.0V	4.8V ~ 8.4V	4.8V ~ 8.4V
Weight	11g	19g	16g
Gear	Titanium	Titanium	Titanium
Waterproof Level	/	IP67	IP67
Motor	Coreless	DC	DC
Programmable	YES	YES	YES
Wire	●●● Black - Red - White	○○○ Black - Black - Grey	○●● Black - Red - White
Stall Torque	1.4 kg-cm (19 oz-in) @ 6.0V 1.2 kg-cm (17 oz-in) @ 4.8V	4.0 kg-cm (55 oz-in) @ 8.4V 2.2 kg-cm (30 oz-in) @ 4.8V	4.5 kg-cm (63oz-in) @ 8.4V 3.0 kg-cm (42 oz-in) @ 4.8V
Operating Speed	0.050sec / 60° @ 6.0V 0.065sec / 60° @ 4.8V	0.088sec / 60° @ 8.4V 0.130sec / 60° @ 4.8V	0.10sec / 60° @ 8.4V 0.15sec / 60° @ 4.8V
Dimension (unit:mm)			

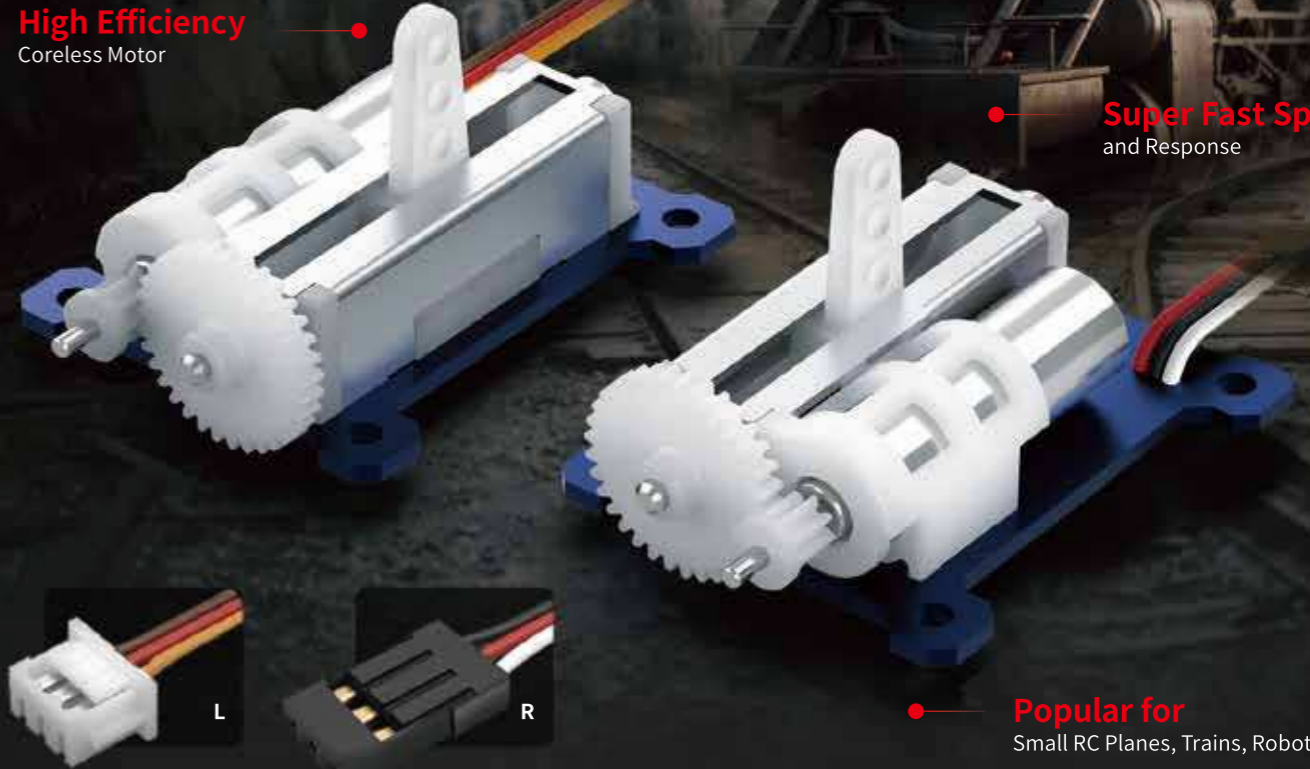
ULTRA MICRO 1.5G DIGITAL LINEAR SERVO

1.5g servo is the smallest servo in our product range at the moment, which is upgrade from 7mm to 9mm travel range. Durable nylon gear and socket shaft.

This 1.5g super micro servo is a light-weight linear servo for 1 cell powered applications, where weight is the key element to getting your micro in the air, whether for 3D indoor or a parkflyer.

High Efficiency
Coreless Motor

Super Fast Speed
and Response



C1.5CLS PRO

- Operating Voltage: 3.6V ~ 6.0V
- Size: 21.4*15.2*6.0mm
- Weight: 1.9g
- Operating Speed: 0.017sec / 1mm @ 3.7V
0.016sec / 1mm @ 4.2V
0.014sec / 1mm @ 5.0V
0.012sec / 1mm @ 6.0V
- Programmable: NO
- Gear: Plastic
- Motor: Coreless
- Stall Torque: 120 g-cm (1.6 oz-in) @ 3.7V
170 g-cm (1.9 oz-in) @ 4.2V
210 g-cm (2.9 oz-in) @ 5.0V
240 g-cm (3.3 oz-in) @ 6.0V



RC STEERING GYRO

Gyros which helps driver keep their car in straight line. Hold that perfect drift angle combined with high speeds with gyro pre-loaded with a customized firmware for drifting. Make corrective steering adjustment for rc cars.

Equipped with full aluminum case for better heat dissipation and impact resistance, providing you with a more stable and controlled driving experience.

GY01 V3

- Weight**
10g
- Dimension**
25.7*24.7*9.5mm
- Operating Voltage**
3.7 ~ 8.4V
- Current Grain**
20mA / 6V
- Operating Temperature**
-10°C~ +50°C
- Input Signal**
1520uS(50Hz / 333Hz) / SANWA SSR
- Control System**
PID Control System
- Dual System Gain**
Normal //AVCS Mode
- Input Signal**
PWM(50-333Hz) / SANWA SHR / SSR / FUTABA S.BUS2



Standard 2s
High Voltage Capable

Utilize High Performance
Imported Chips

GY04M V3.5

- Weight**
4g
- Dimension**
21*15*8.8mm
- Operating Voltage**
3.7 ~ 8.4V
- Current Grain**
20mA / 6V
- Operating Temperature**
-10°C~ +50°C
- Input Signal**
1520uS(50Hz / 333Hz) / SANWA SSR
- Control System**
PID Control System
- Dual System Gain**
Normal / Sensitive Mode
- Input Signal**
PWM(50-333Hz) / SANWA SHR / SSR / FUTABA S.Bus / S.BUS2



2.4GHz INTERFERENCE FREE RC RECEIVER

High quality plastic case for well protection, built-in antenna make it clear and neat for installation and excellent anti-interference. Compatible with most of transmitter systems.



Compatible With
Variety of Vehicles

Quick and Extremely
Stable In Performance

Ultra Light
Weight Design

Superb Fast
Response

Easy to Bind
and Fast Link-up

ARX-482R Wireless 4CH FHSS Compatible Receiver

- Weight:** 7.3g
- PWM Mode:** Normal/ SHR/ SSR
- Dimension:** 23.6*18.4*28.4mm
- Compatibility:** SANWA FHSS-4 & FHSS-3 remote control system M12, M11X, EXZES X, MT-4, GEMINI X, MT-S, MT-4S, M12S, M17 etc

ARX-472S 4CH FHSS Compatible Receiver

- Weight:** 7.3g
- PWM Mode:** Normal/ SHR/ SSR
- Dimension:** 23.6*18.4*28.4mm
- Compatibility:** SANWA FHSS-4 & FHSS-3 remote control system M12, M11X, EXZES X, MT-4, GEMINI X, MT-S, MT-4S, M12S, M17 etc

RFS04C S.BUS 4CH S-FHSS Compatible Receiver

- Weight:** 7.3g
- NO. of Channels:** 4CH+S.BUS
- Dimension:** 35.5*23.3*13.2mm
- Compatibility:** Futaba S_FHSS / TM-FH RF Module Futaba 4PX, 7PX, 4PV, 3PV etc. S_FHSS system

RTF04EC T-FHSS Compatible 4CH Receiver

- Weight:** 7.3g
- NO. of Channels:** 4CH+S.BUS2
- Dimension:** 23.6*18.4*28.4mm
- Compatibility:** FUTABA T-FHSS remote control system 4PLS 4PX 4PXR7 etc

WATERPROOF BRUSHLESS ELECTRONIC SPEED CONTROLLER

- ★ **High Reliability & Durability**
- ★ **Easy Operation**
- ★ **Efficient Cooling System**

Sensorless / Sensored

Reliable hardware combined with advanced software technology, providing high power output and overload protection of the ESC circuit.

The waterproof and dust-proof design allows to be used in all weather conditions without any issue of damage caused to the ESC from water or dust. Great choice for anyone.



XEON RUN BLHELI_S ESC

DSHOT600/300/12, MULTISHOT, ONESHOT

Xeon Run Series ESC is designed for UAV Multicopter, adopt high quality components, super reliable impact resistance of current. Compact size and light weight, combine ultra fast running speed with popular BLHeli firmware. Extreme fast throttle response, stable and reliable performance with reasonable price.



XR-4A

Input Voltage: 1S LiPo
 Continuous Current: 4A
 Peak Current: 6A
 Size: 13*10*5mm
 Weight: 0.5g

XR-7A

Input Voltage: 1-2S LiPo
 Continuous Current: 7A
 Peak Current: 9A
 Size: 25*12*4mm
 Weight: 3.2g

XR-13A

Input Voltage: 2-4S LiPo
 Continuous Current: 13A
 Peak Current: 15A
 Size: 26*13*4mm
 Weight: 4.5g

XR-20A

Input Voltage: 2-4S LiPo
 Continuous Current: 20A
 Peak Current: 25A
 Size: 26*13*4mm
 Weight: 4.5g

XR-30AL

Input Voltage: 2-4S LiPo
 Continuous Current: 30A
 Peak Current: 35A
 Size: 26*13*4mm
 Weight: 4.5g

XR-30A

Input Voltage: 3-6S LiPo
 Continuous Current: 30A
 Peak Current: 40A
 Size: 35*16*6mm
 Weight: 9g

XR-40A

Input Voltage: 3-6S LiPo
 Continuous Current: 40A
 Peak Current: 50A
 Size: 50*17*7mm
 Weight: 16g

ALUMINUM ALLOY STEERING SERVO HORN

More and more servos released this year, we also launch some metal horns, which are made of high quality aluminum alloy. We have 10pcs Brother and 50pcs FANUC brands CNC machines, ensure high precision and exquisite workmanship for all the aluminum parts. Make it precise in size and stable in performance.

Adopt environmentally friendly material and anodization processing, easy upgrade from the original part. Equipped with universal 25T spline, compatible most standard servo motor. Convenient to install and remove. Fit for different scale RC Cars.



High Precision CNC Machining



Solid and Abrasion Proof



Durable with Clamping and Lock Design



Accurate Size Stable Performance



HSS15

Material: AL6061
Hole Space: 15 / 19mm
Screw: M3*8 x1, M2*6 x1
Weight: 1.7g
Length: 31mm
Thickness: 2.5mm

HSS16AG

Material: AL7075
Hole Space: 16.5 / 20mm
Screw: M3*8 x1, M2*6 x1
Weight: 3.3g
Length: 31mm
Thickness: 4mm

HSS20AG

Material: AL7075
Hole Space: 20mm
Screw: M3*8 x1, M2*6 x1
Weight: 3.8g
Length: 28.3mm
Thickness: 4mm

HSS20P2

Material: AL6061
Hole Space: 20.2 / 24.2mm
Screw: M3*8 x1, M2*8 x2
Weight: 3.1g
Length: 34.84mm
Thickness: 3mm

HPS07

Material: AL6061
Hole Space: 7.5mm
Screw: M2.5*4 x1
Weight: 0.2g
Length: 12.75mm
Thickness: 2mm

HSS32

Material: AL7075
Hole Space: 31.75 / 38.1mm
Screw: M2*8x1, M3*8x1
Weight: 5g
Length: 50.1mm
Thickness: 3.5mm

HPS065

Material: AL6061
Hole Space: 6.5mm
Screw: M2*4 x1
Weight: 0.38g
Length: 10.74mm
Thickness: 1.5mm

HSO07

Material: AL7075
Hole Space: 7mm
Screw: M3*6 x5
Weight: 3.8g
Length: 19.8mm
Thickness: 5mm

HPS06

Material: AL6061
Hole Space: 6.5 / 9.8 / 13.1 / 16.4 / 19.6mm
Screw: M2.3*4 x1, M2.5*4 x1
Weight: 0.71g
Length: 26mm
Thickness: 1.9mm

HPS06B

Material: AL6061
Hole Space: 6.5 / 9.8 / 13.1 / 16.4 / 19.6mm
Screw: M2.3*4 x1, M2.5*4 x1
Weight: 0.71g
Length: 26mm
Thickness: 3mm

HLD25

Material: AL7075T6
Hole Space: 25 / 30 / 35mm
Screw: M3.5*8x1, M2*12 x2
Weight: 13.7g
Length: 79mm
Thickness: 5mm

HSS38

Material: AL7075
Hole Space: 38.1/44.45/50.8mm
Screw: M3*8x1, M2*8x1
Weight: 6.1g
Length: 62.8mm
Thickness: 3.5mm

HLS25

Material: AL7075T6
Hole Space: 25 / 30mm
Screw: M3.5*8x1, M2*6 x1, M2*8x1
Weight: 08.5g
Length: 244.5mm
Thickness: 5mm

OTHERS

As the manufacturer we are not only supply the products listed in this catalog, but also produce the parts according to customers' requirements



PINION GEAR
Gear



CAPACITOR PACK
RC Capacitor Box



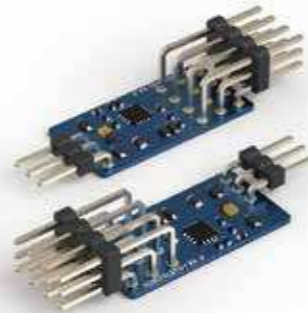
H16
Spool Kit Set



USB PROGRAMMER
Servo / ESC Programmer



BEC
UBEC-01LS



SIGNAL CONVERTER
Module SBUS/PPM to PWM Converter

MAKE IT EASY FOR ONE-STOP SERVICE

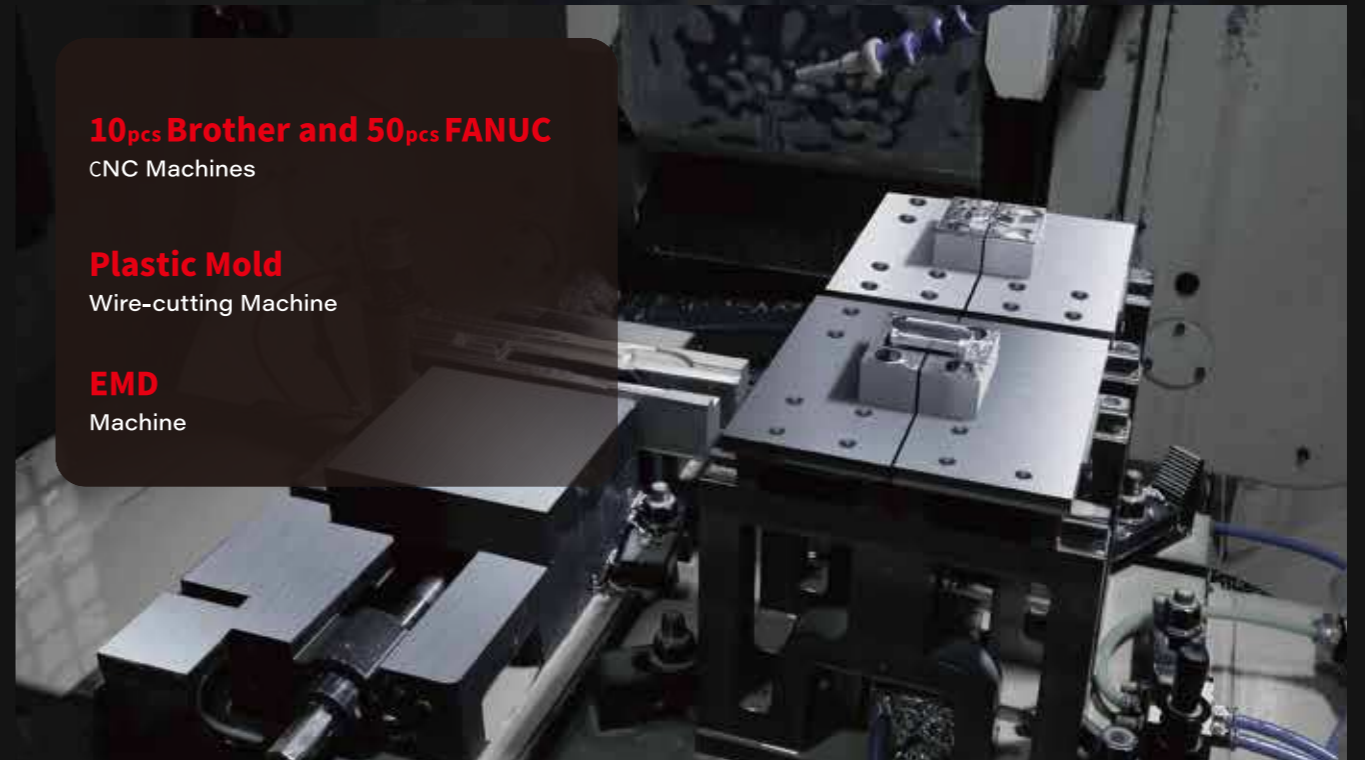
• WE HAVE OUR OWN

EMD machine and wire-cutting machine for plastic mold. Advanced machining capability with 10pcs Brother and 50pcs FANUC CNC machines. No matter you are an engineer, product developer or designer, we can offer rapid prototyping, small-batch machining, and high-volume production.

10pcs Brother and 50pcs FANUC
CNC Machines

Plastic Mold
Wire-cutting Machine

EMD
Machine



Our fast CNC machining capabilities include services for metals, plastics, flexible production and shipping options to meet you at the perfect price and product development stage. We accept technical drawings and have support teams to ensure you get quality CNC machined parts on time. Various surface finishes is acceptable.



RAPID TOOLING,
PROTOTYPING AND PRODUCTION

CONSISTENT
QUALITY



ADVANCED CNC
MACHINING CAPABILITIES

